

Measurement Form Types

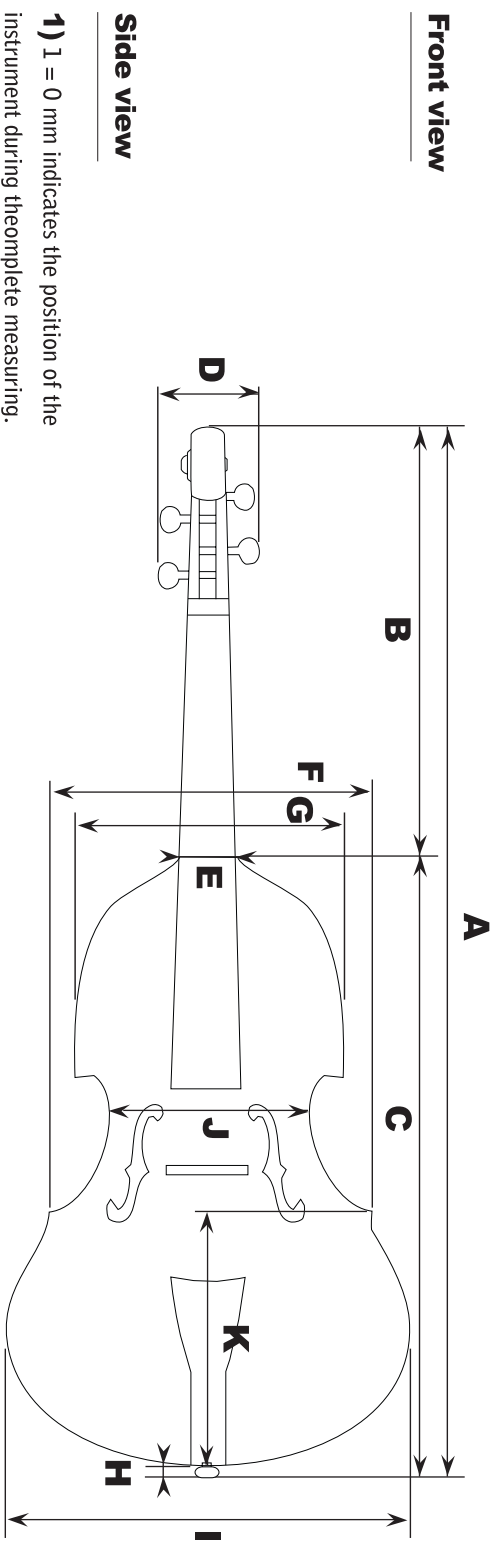
Kontrabas

Name	_____
Address	_____
Phone/Fax	_____
E-mail	_____



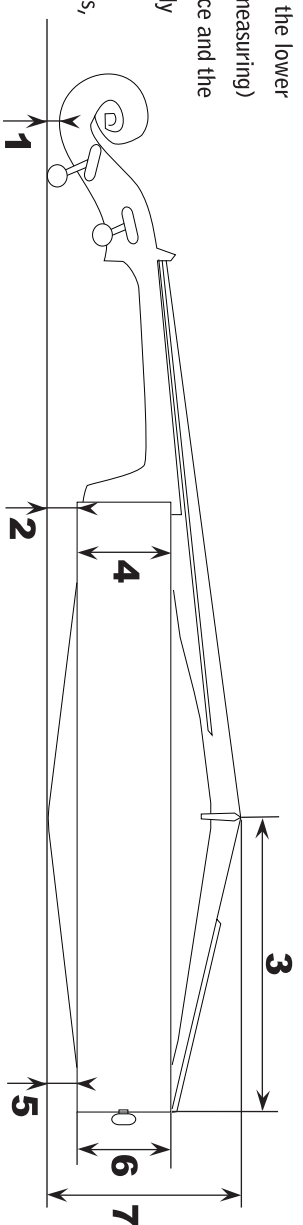
Front view	
A	
B	
C	
D	
E	
F	
G	
H	
I	
J	
K	
L	

Side view		
1		0 mm
2		
3		
4		
5		
6		
7		



Side view

- 1) 1 = 0 mm indicates the position of the instrument during the complete measuring. (Depending on models, the head or the lower tuning pins touch the surface while measuring)
- 2) The distance between the surface and the body, taken on the edge of the body (where the body meets the neck).
- 3) Measure from under the strings, the instrument itself.



Bow

a		
b		
c		
d		
e		

